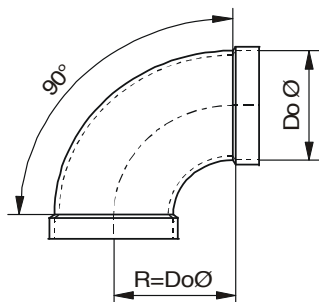
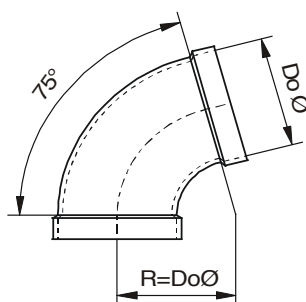


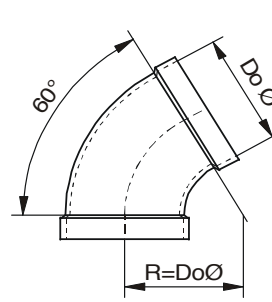
Material: PVC / PPs / PP / PE



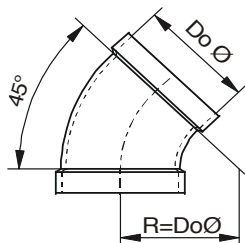
Zeta-factor=0,25



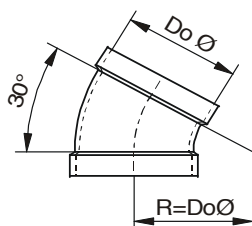
Zeta-factor=0,20



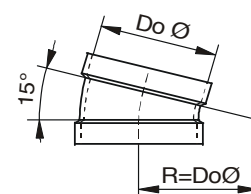
Zeta-factor=0,18



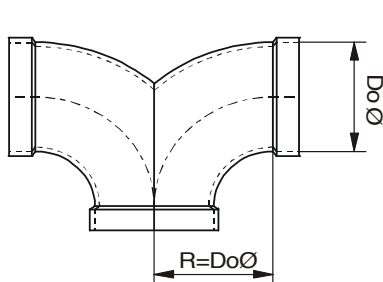
Zeta-factor=0,15



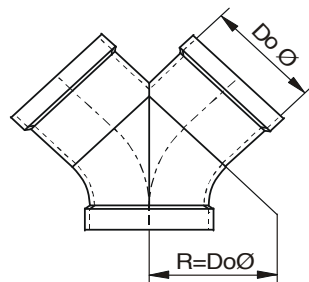
Zeta-factor=0,10



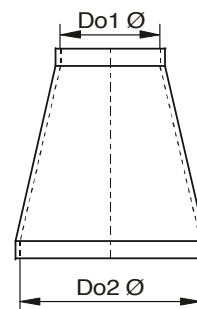
Zeta-factor=0,05



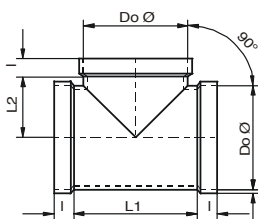
Zeta-factor=0,25



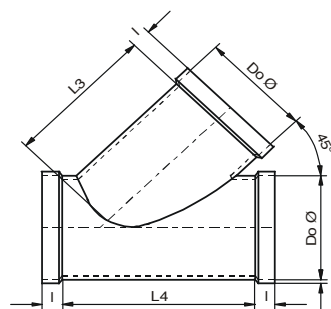
Zeta-factor=0,15



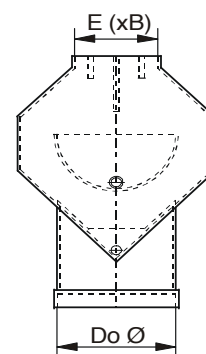
Zeta-factor Do2-Do1=0-0,5



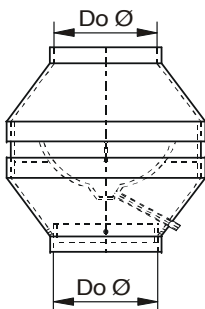
Zeta-factor=1,1



Zeta-factor=0,9

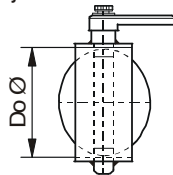


Zeta-factor=1,8

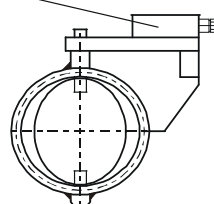


Zeta-factor=0,8

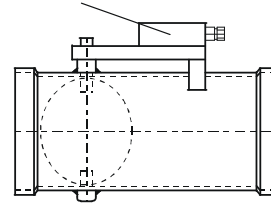
Fixing lever with 7,5°justation



Electr. Drive



Pneum. Drive



Zeta-factor	0,5	1,5	4	11	33	120	250
By flap position	10°	20°	30°	40°	50°	60°	70°

all dimension in mm