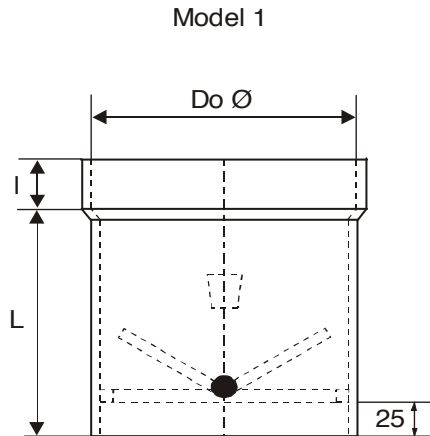
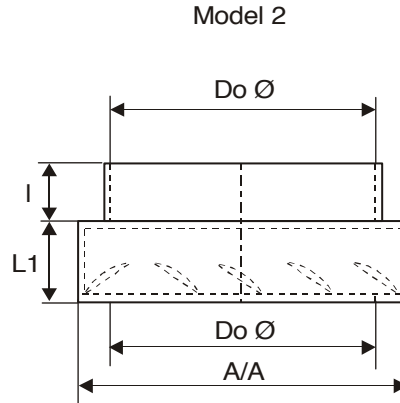


Material: PVC / PPs / PP / PE

Vertical montage



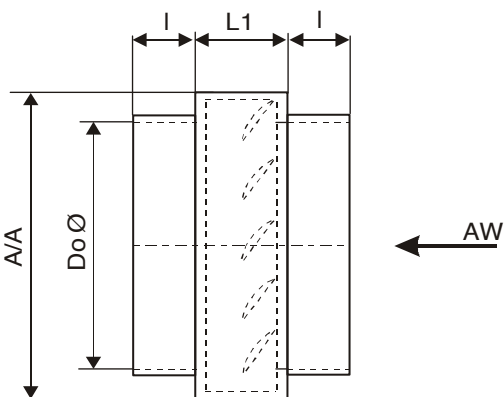
AW
Zeta-factor = 1,5



AW

Pressure loss on model 2 and 3 on page T19

Model 3
Horizontal montage



With Socket

Back flow damper				
Da Ø	L	I	A/A	L1
110	160	40	170	65
125	165	40	170	65
140	170	40	170	70
160	180	40	205	70
180	190	40	205	70
200	200	40	255	70
225	210	40	255	80
250	225	40	305	80
280	240	50	305	90
315	260	50	358	90
355	280	50	408	90
400	300	50	470	120
Lamellas in model 2 and 3 in PVC				
max. air speed 10 m/sec.				