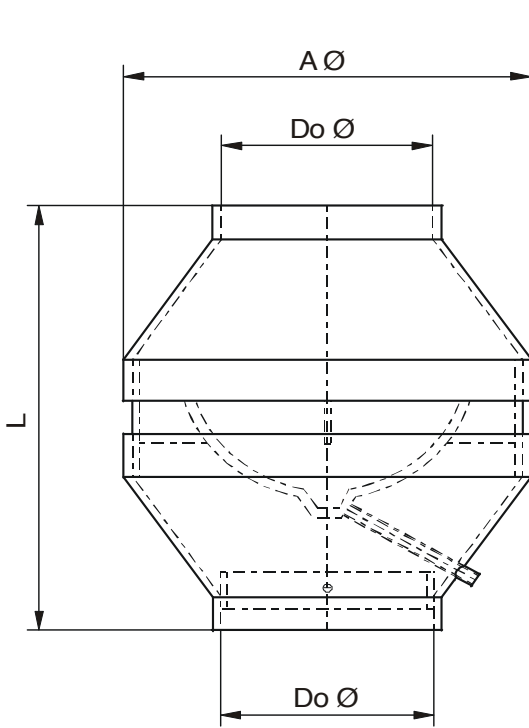
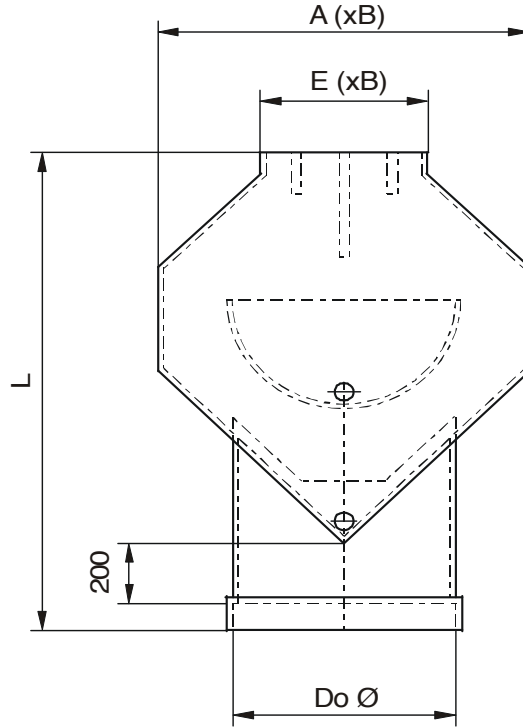


Material: PVC / PPs / PP / PE



Zeta-factor = 0,8



Zeta-factor = 1,8

| circular type |     |     |
|---------------|-----|-----|
| Do Ø          | A Ø | L   |
| 110           | 206 | 290 |
| 125           | 256 | 340 |
| 140           | 256 | 320 |
| 160           | 321 | 410 |
| 180           | 321 | 380 |
| 200           | 361 | 410 |
| 225           | 408 | 430 |
| 250           | 458 | 470 |
| 280           | 508 | 520 |
| 315           | 508 | 440 |

| rectangular type |      |            |           |
|------------------|------|------------|-----------|
| Do Ø             | L    | A (xB)     | E (xB)    |
| 355              | 869  | 590 x 390  | 266 x 390 |
| 400              | 992  | 664 x 440  | 300 x 440 |
| 450              | 1047 | 747 x 495  | 338 x 495 |
| 500              | 1140 | 830 x 550  | 375 x 550 |
| 560              | 1235 | 913 x 605  | 412 x 605 |
| 600              | 1328 | 996 x 660  | 450 x 660 |
| 630              | 1423 | 1079 x 715 | 488 x 715 |
| 700              | 1516 | 1162 x 770 | 525 x 770 |
| 710              | 1611 | 1245 x 825 | 600 x 825 |
| 800              | 1704 | 1328 x 880 | 675 x 880 |

From Do Ø 900 upon request