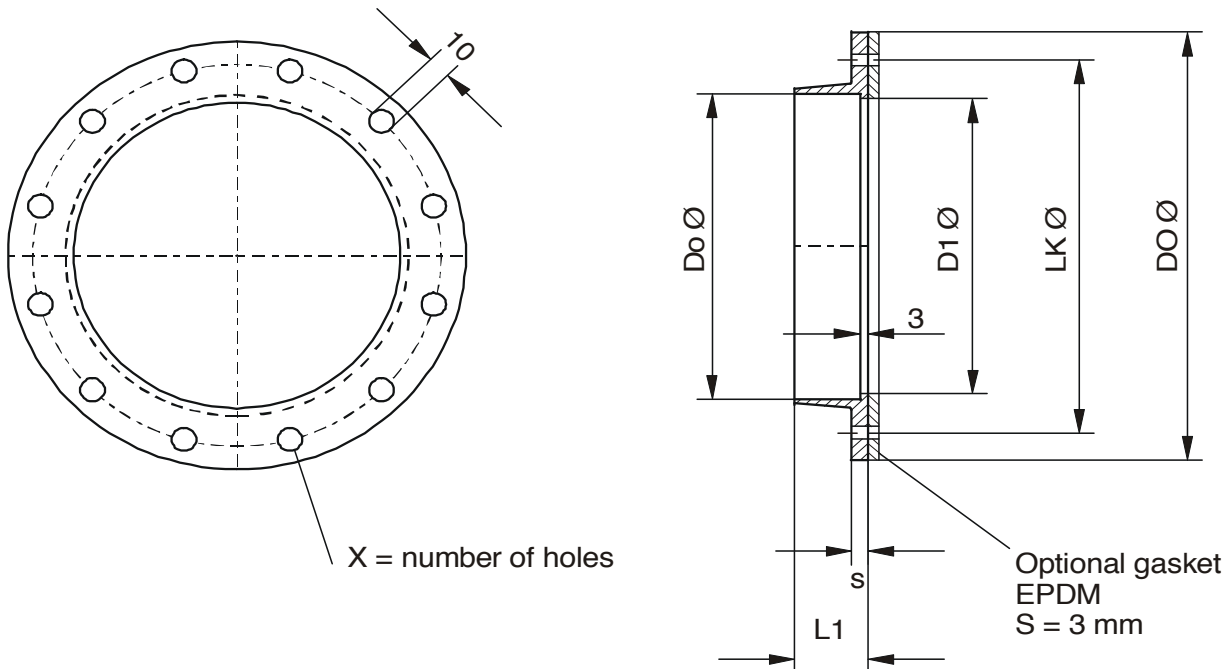


Material: PVC / PPs / PP / PE



Do Ø	LKØ	DOØ	x	D1Ø	L1	S
75	110	140	8	69	29	6,5
90	128	158	8	84	29	6,5
110	150	170	8	106	30	8,0
125	165	185	8	122	30	8,0
140	175	200	8	136	30	8,0
160	200	230	8	156	30	8,0
180	220	245	8	176	30	8,0
200	240	270	8	196	30	8,0
225	265	290	8	222	30	8,0
250	290	320	12	246	30	8,0
280	325	355	12	275	30	10,0
315	350	395	12	310	30	10,0
355	400	435	12	349	30	10,0
400	445	475	16	393	30	10,0

More flanges on Page: T 12

all dimension in mm