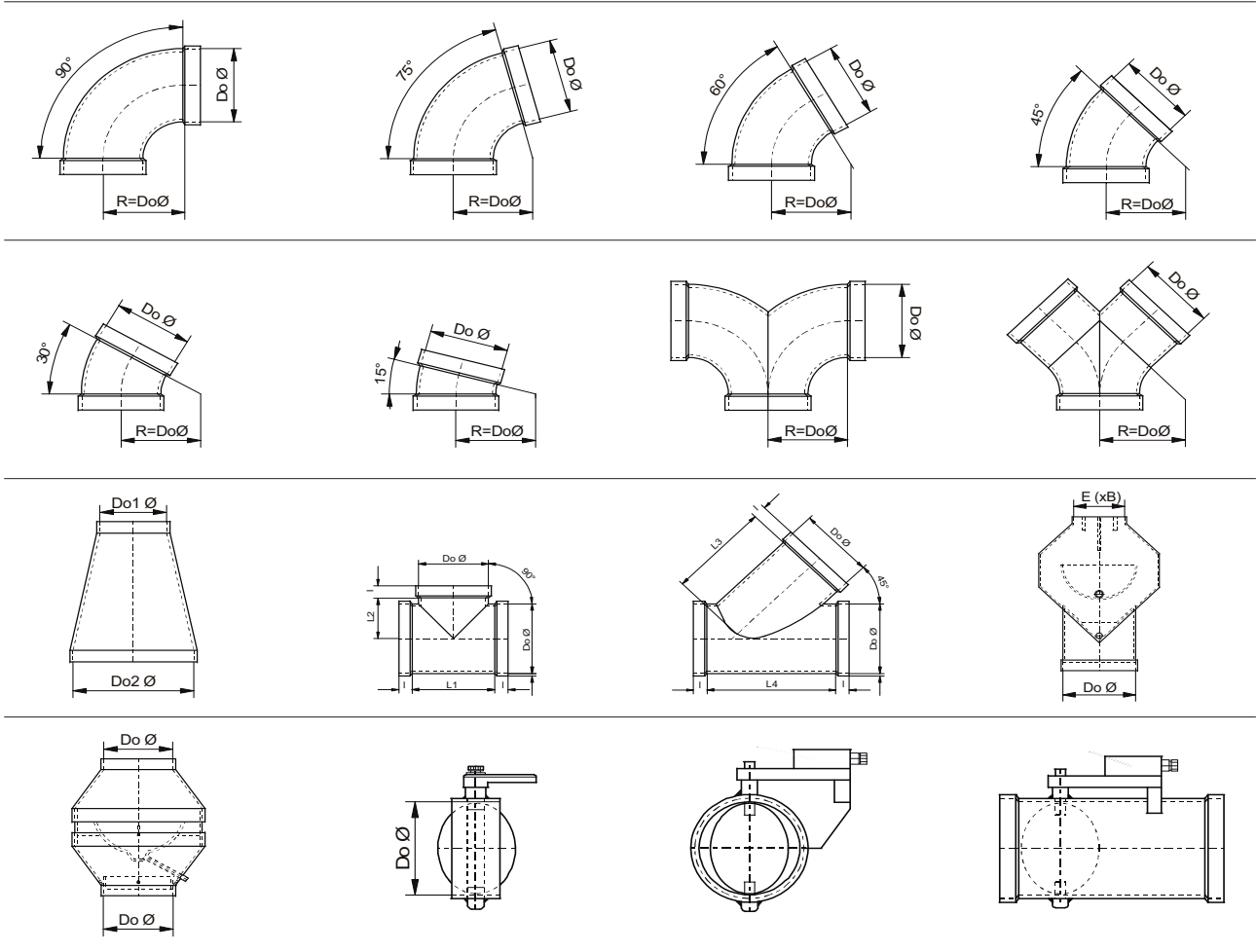




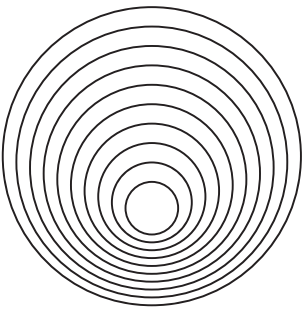
Technical specifications



Dimensions and materials

HoKa supplies duct in materials to match the fittings – PVC, HDPE, PPs and PVDF. Duct diameters up to 400mm are extruded and seamless. Duct larger than 400mm diameter is fabricated locally from sheet plastic material. Duct to fitting joints should be plastic welded to ensure a proper air-tight and liquid-tight seal. Joints in PVC can also be made using solvent cement.

Diameter	Length	Wall Thickness	Material				
			PVC	HDPE	PP	PPs	PVDF
110	5000	1.8	✓	✓		✓	
160	5000	1.8	✓	✓		✓	
200	5000	1.8	✓	✓		✓	
250	5000	2.0	✓	✓		✓	
315	5000	2.5	✓	✓		✓	
400	5000	3.2	✓	✓		✓	
500	3000	4.5		✓	✓		
600	3000	4.5		✓	✓		
750	3000	6.0		✓	✓		
900	3000	6.0		✓	✓		



Duct sizes are unlimited

Jenso introduces a new range of specialised plastic products to Australia. We are committed to extending the use of plastics across industry.

Jenso Pty Ltd
 PO Box 717
 Braeside 3195 Australia
 T +61 3 9580 5333
 F +61 3 9580 5333
 info@jenso.com.au
 www.jenso.com.au

