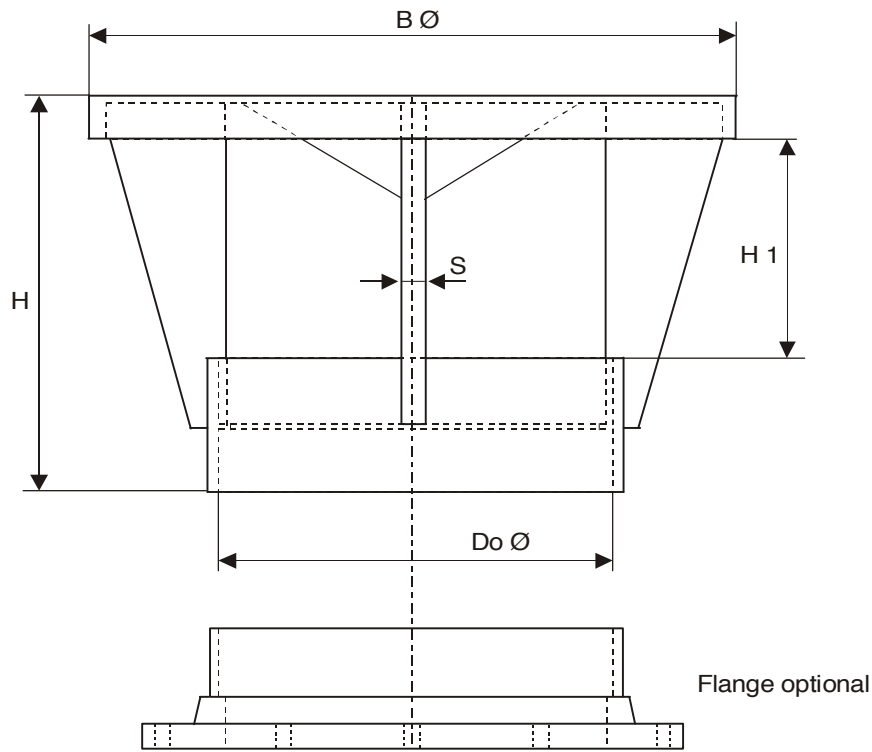


Material: PVC / PPs / PP / PE



Zeta-factor = 1,5

Outlet cowl with socket				
Do Ø	B Ø	H1	H	S
110	225	55	165	8
125	225	65	175	8
140	250	70	180	8
160	250	80	190	8
180	280	90	200	8
200	315	100	210	8
225	355	115	225	8
250	400	125	235	8
280	450	140	270	10
315	500	160	290	10
355	550	170	300	10
400	600	200	330	10

From Do Ø 450 upon request